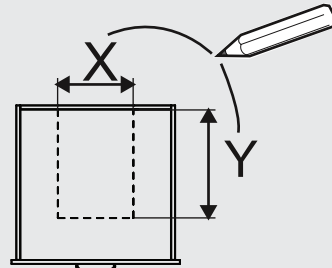
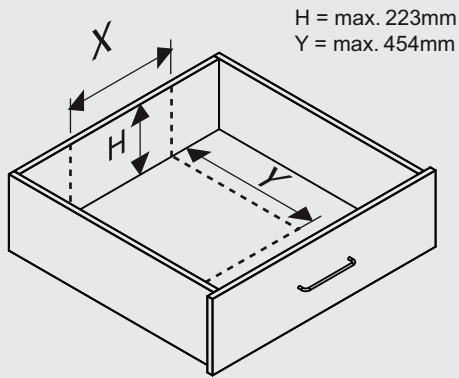
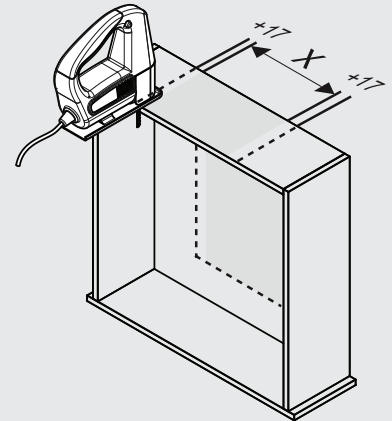


Step by step guide on how to make a cutout in any drawer using the Fixol in just 15 minutes.

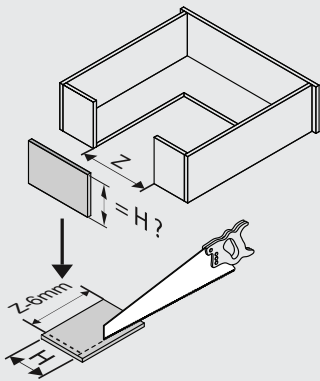
STEP 1



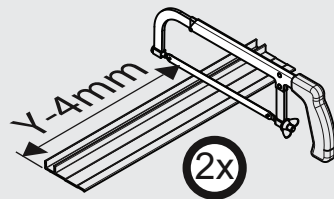
STEP 2



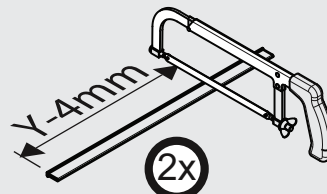
STEP 3



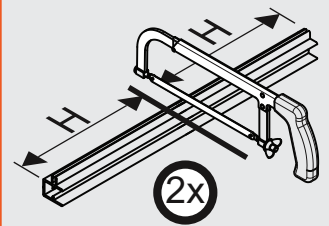
STEP 4



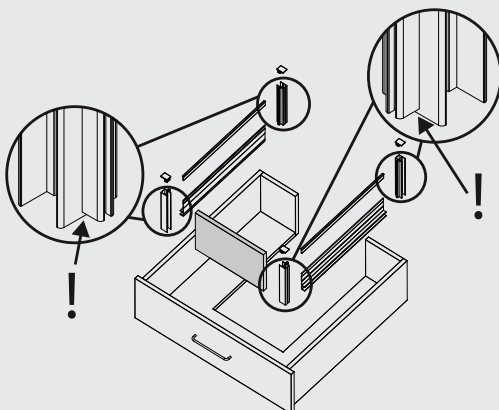
STEP 5



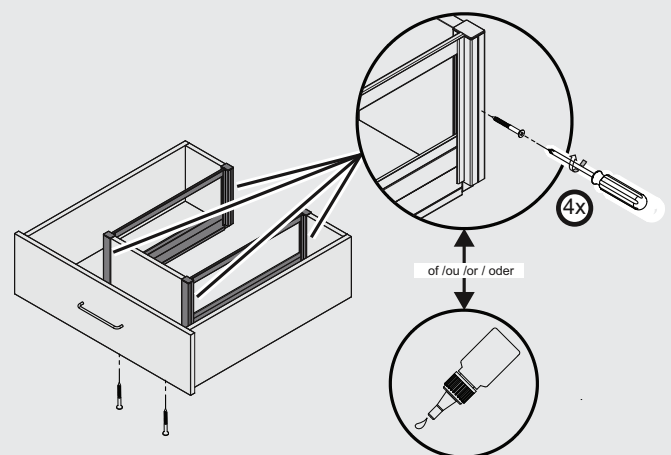
STEP 6



STEP 7



STEP 8



You will be delighted with the result. Fixol is an affordable investment delivering a better, simpler and more attractive sink drawer.